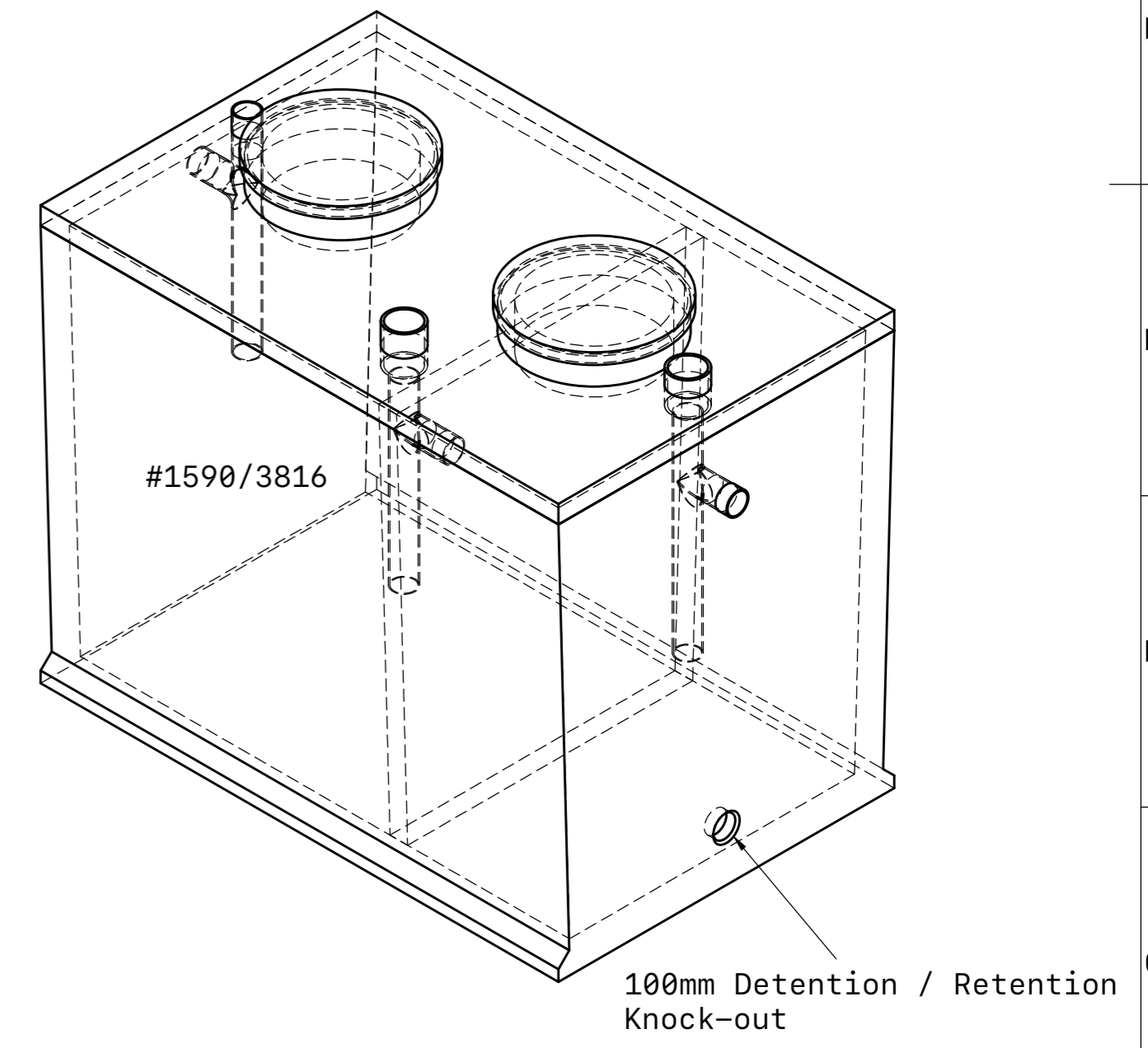
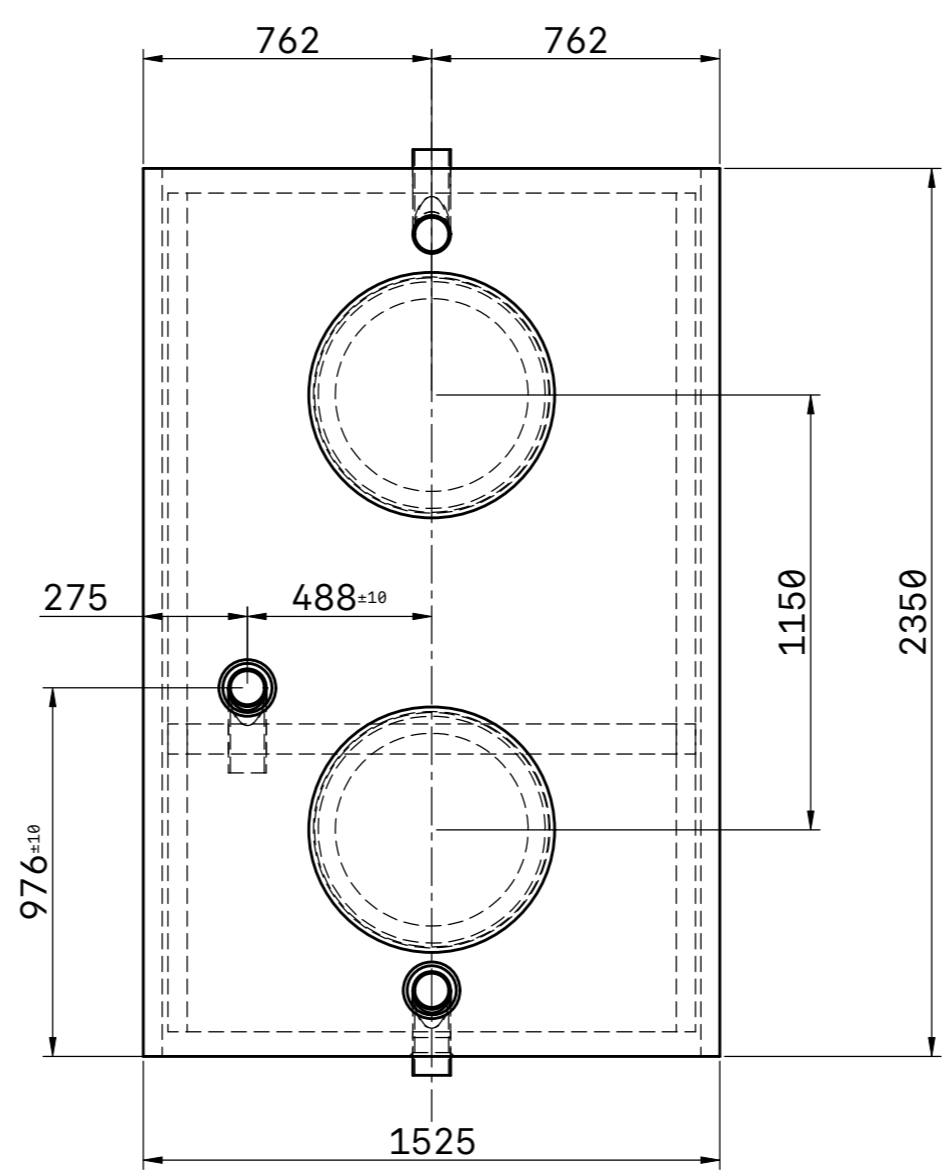
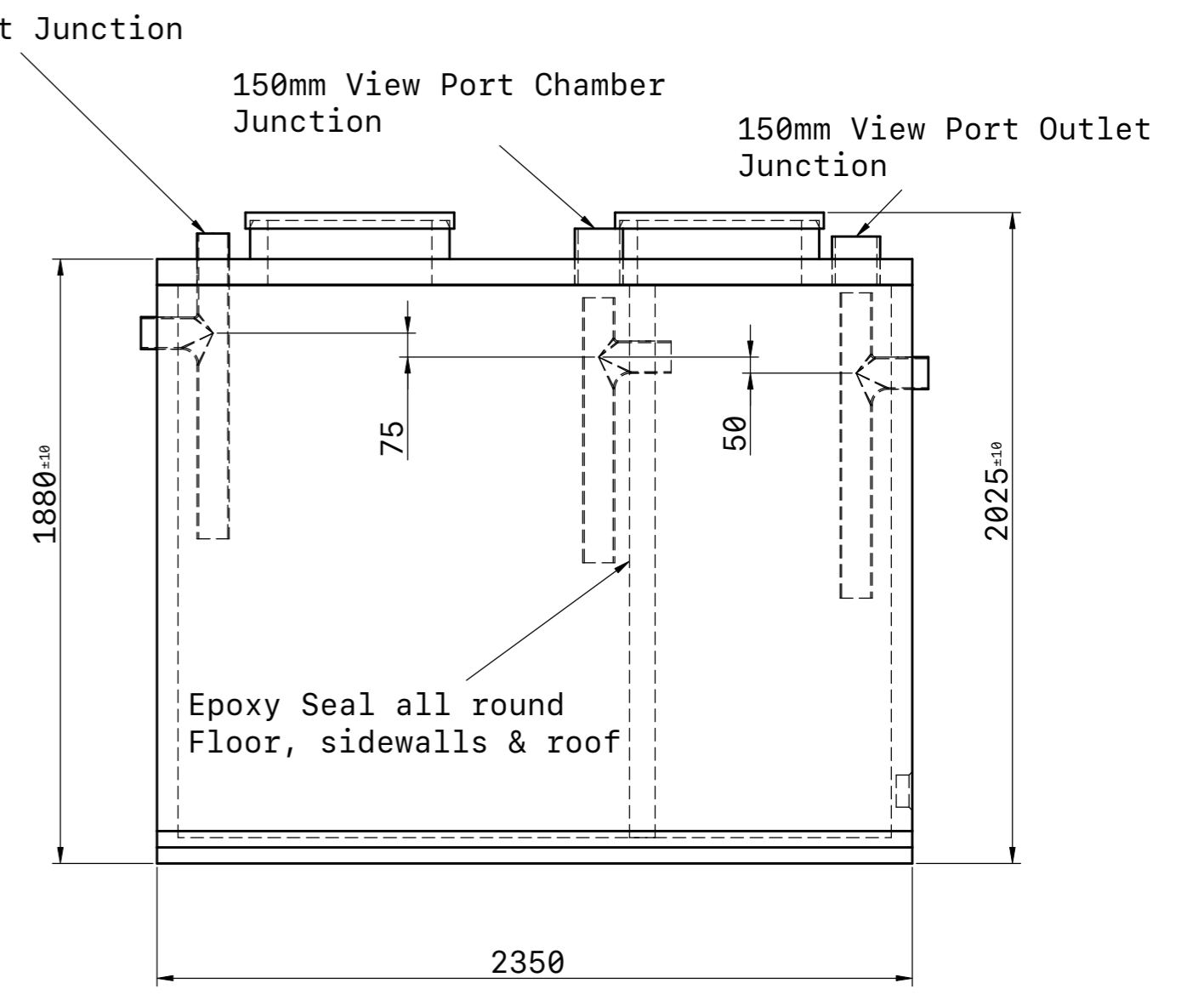
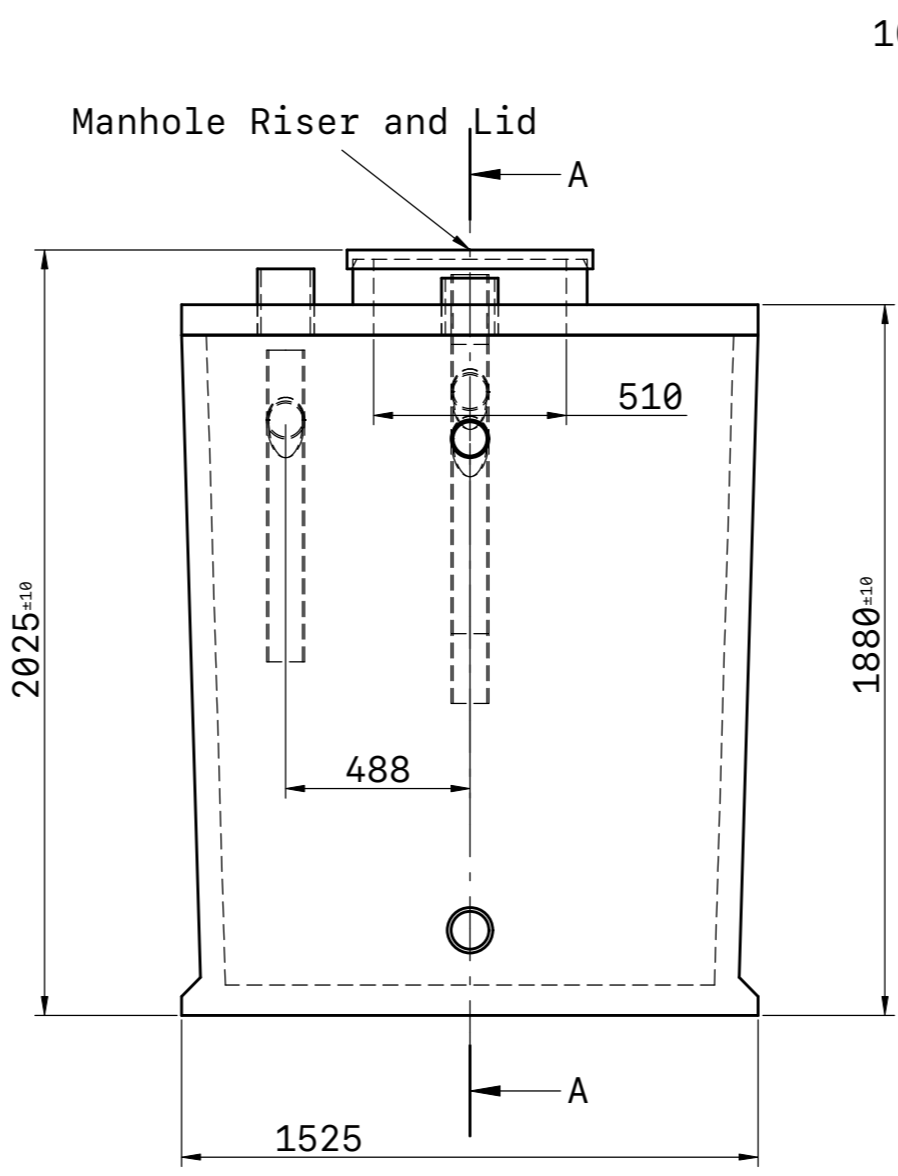
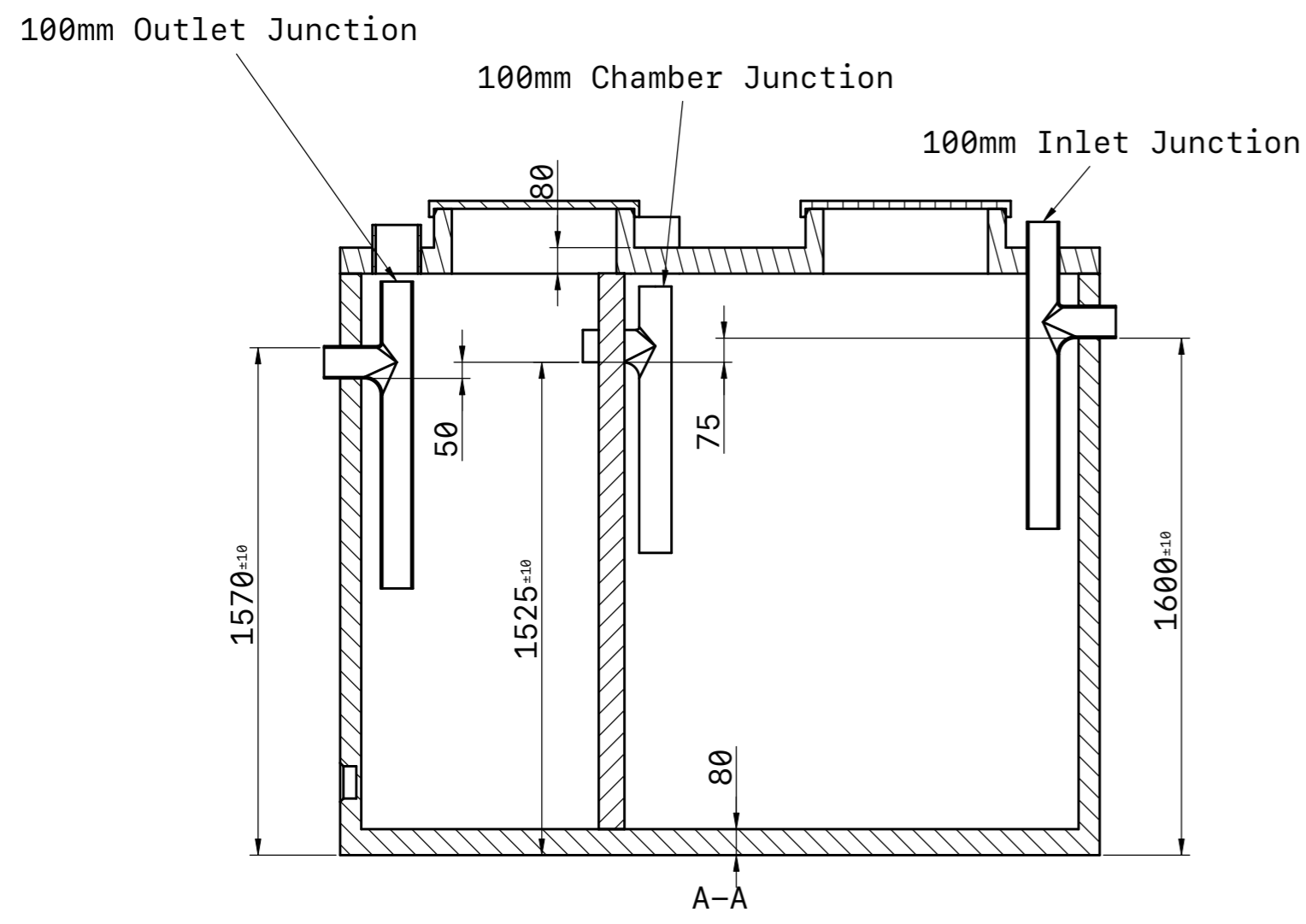


1 2 3 4 5 6 7 8 9 10 11 12

A  
B  
C  
D  
E  
F  
G  
H



Oct 2023	Chamber wall height increased		

**Bowers & Son Ltd - Technical illustration.**

- Dimensions, tolerances and weights are nominal and may vary.
- All details are subject to change without prior notice.
- This illustration is for reference only, do not scale.

**Bowers & Son Ltd**  
Concrete Manufacturers

REVISION	NAME	DATE			
			TITLE Septic Tank 4500L DC V2		
			UNITS mm	PROJ. ANG. ⊕	SIZE A2
			SCALE 1:20	LAST UPDATED 09/24/23	SHEET 1 / 1

1 2 3 4 5 6 7 8 9 10 11 12