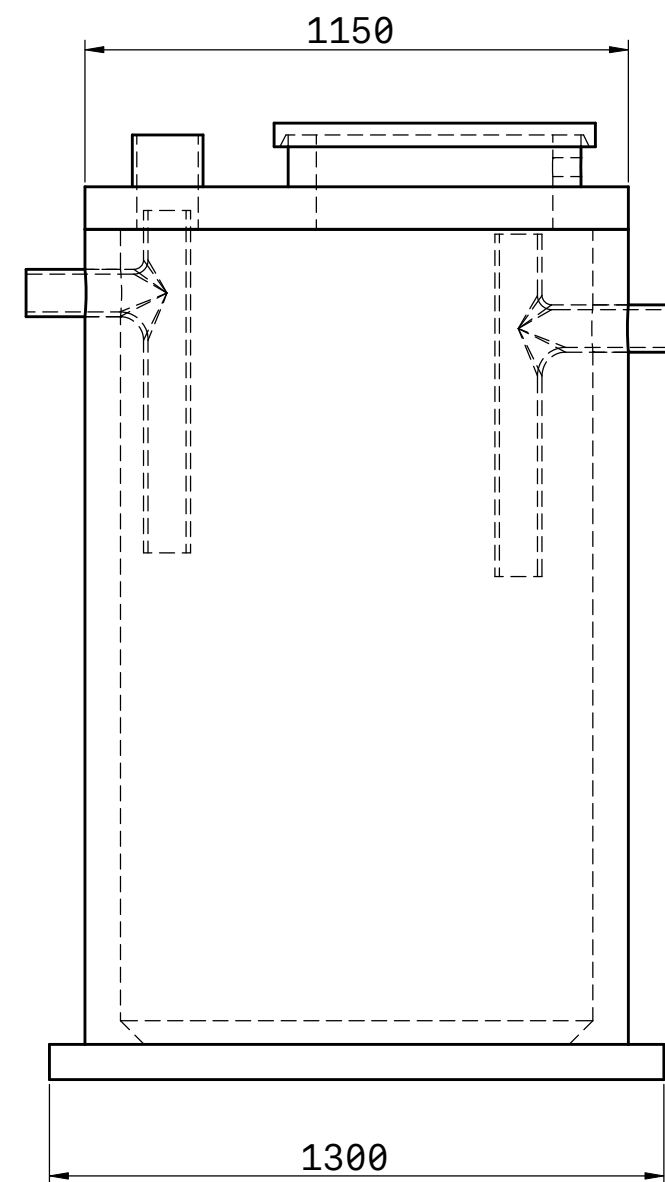
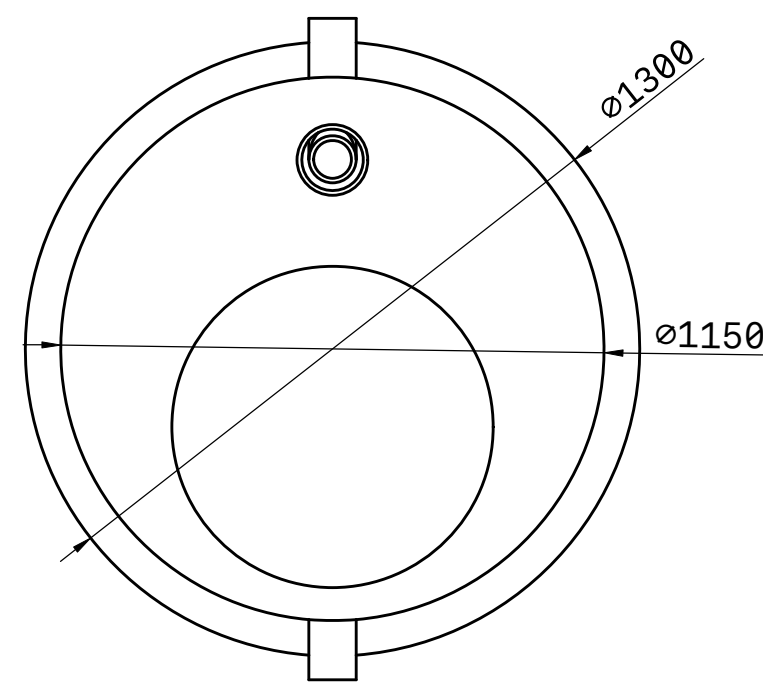
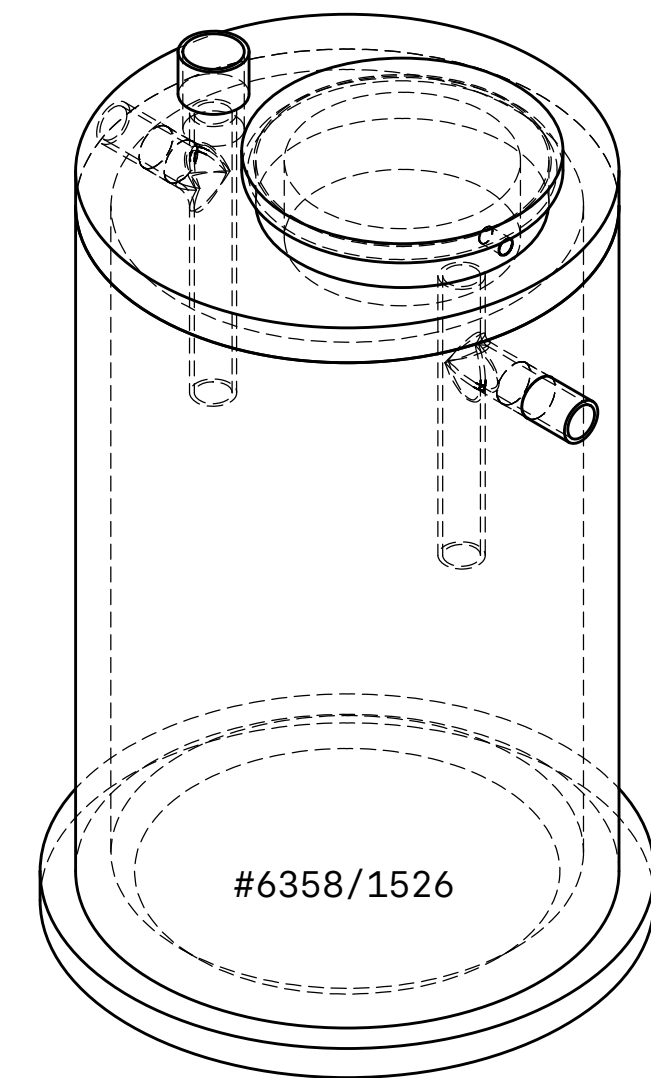
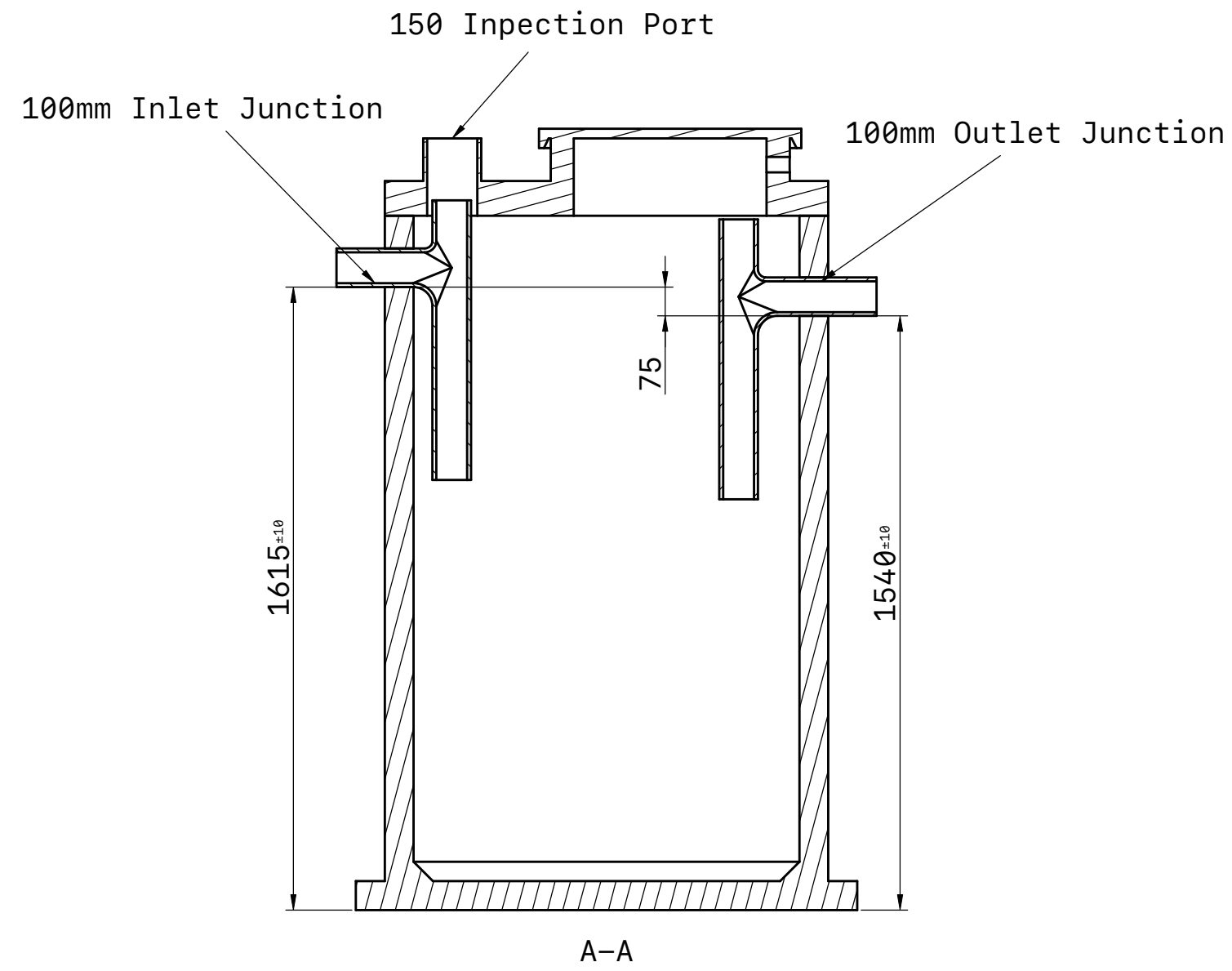
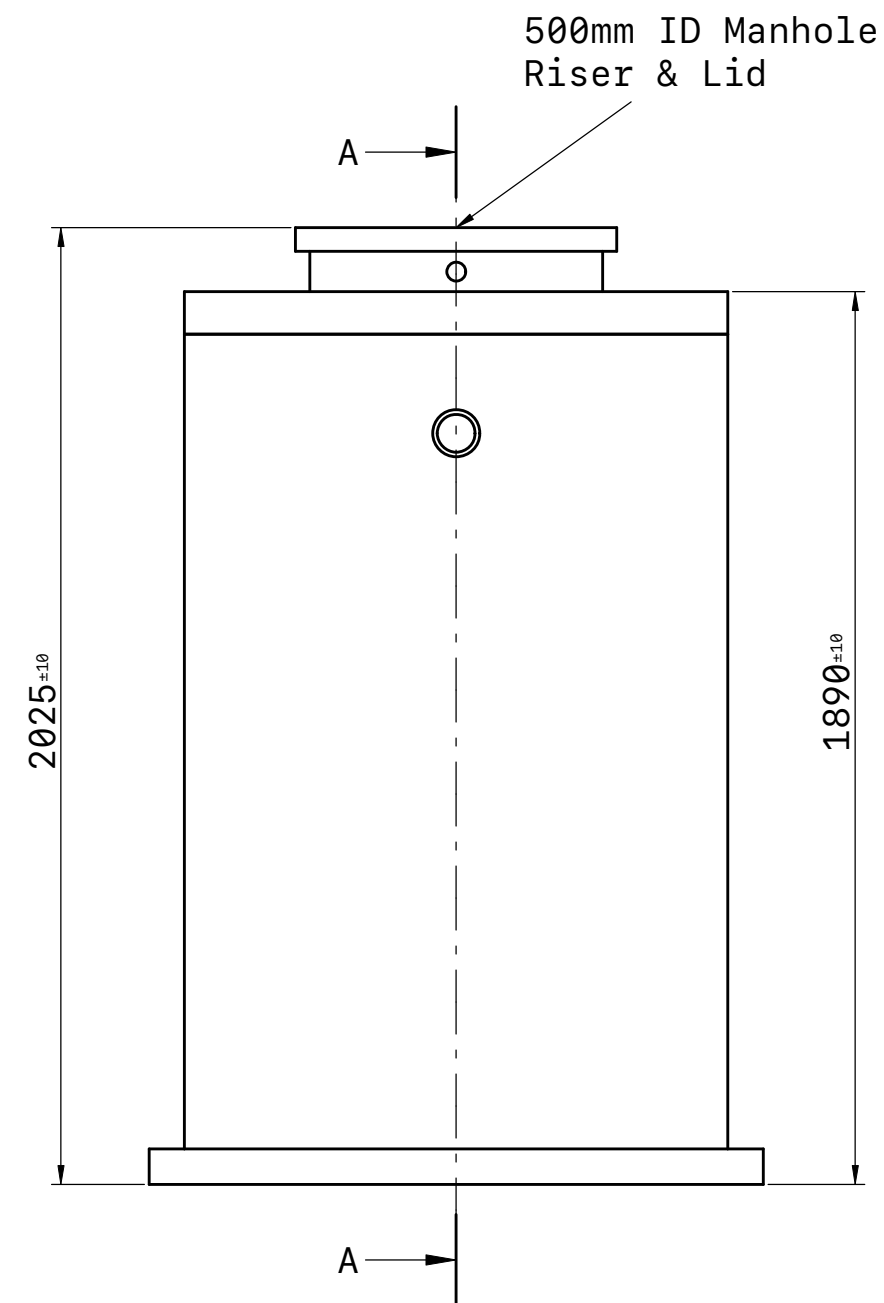


**Bowers & Son Ltd - Technical illustration.**


- Dimensions, tolerances and weights are nominal and may vary.
- All details are subject to change without prior notice.
- This illustration is for reference only, do not scale.

TITLE <b>ST 900L (1100)</b>		
LAST UPDATED <b>07/20/23</b>	UNITS <b>mm</b>	SHEET <b>1 / 1</b>
FIRST ANGLE PROJECTION 	SCALE <b>1:16</b>	SIZE <b>A2</b>



**Bowers & Son Ltd - Technical illustration.**

- Dimensions, tolerances and weights are nominal and may vary.
- All details are subject to change without prior notice.
- This illustration is for reference only, do not scale.

TITLE <b>ST 1500L (1700)</b>		
LAST UPDATED <b>07/20/23</b>	UNITS <b>mm</b>	SHEET <b>1 / 1</b>
FIRST ANGLE PROJECTION 	SCALE <b>1:16</b>	SIZE <b>A2</b>