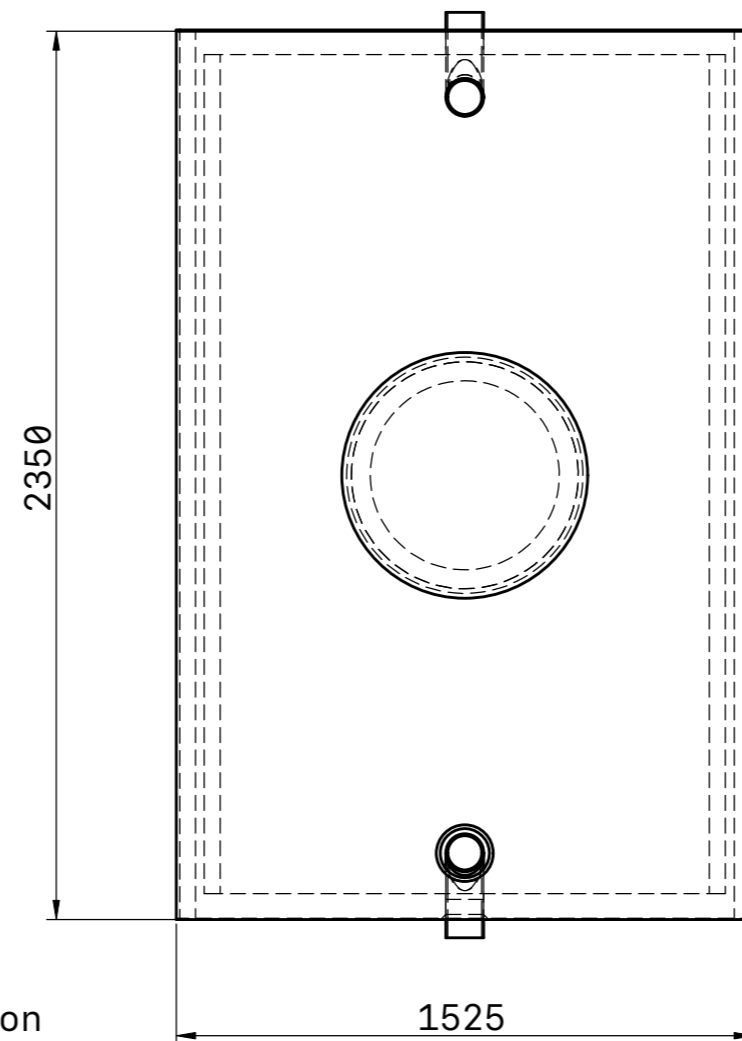
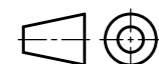


100mm Retention / Detention
Knock-out



Bowers & Son Ltd - Technical illustration.

- Dimensions, tolerances and weights are nominal and may vary.
- All details are subject to change without prior notice.
- This illustration is for reference only, do not scale.

TITLE Septic Tank 3300L SC		
LAST UPDATED 07/25/22	UNITS mm	SHEET 1 / 1
FIRST ANGLE PROJECTION 	SCALE 1:20	SIZE A2