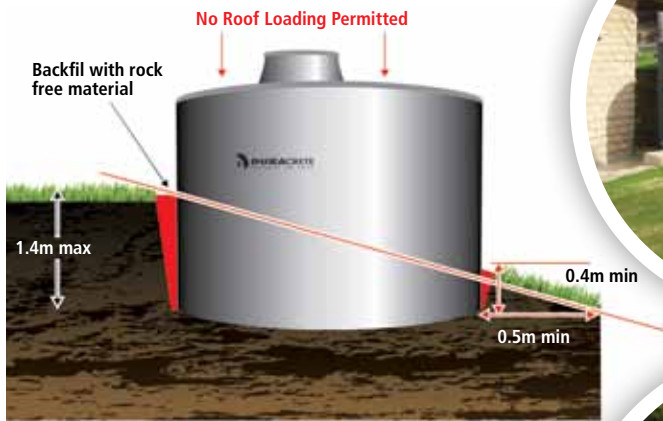


Suitable Applications For Duracrete Standard Water Tanks 25,000 Litre (5500 Gallons)



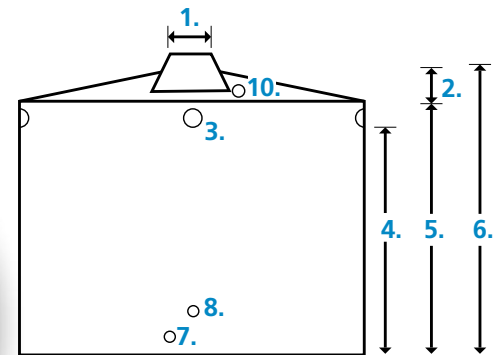
Standard 25,000L Tank Unequally Buried



Suitable for above ground installations or buried applications to maximum height of 2.40m

- 8.25 Tonne Weight
- 65mm Wall Thickness
- 100mm Floor Thickness
- 80 MPA Concrete Strength

Standard 25,000L Tank Buried to 2.4m Max Height



- | | |
|--------------------------------|-------|
| 1. Hatch Opening | 600mm |
| 2. Height of Apex | 350mm |
| 3. Overflow/inlet, 4 positions | 110mm |
| 4. Water Level Height | 2.40m |
| 5. Total Wall Height | 2.55m |
| 6. Overall Height | 2.90m |
| 7. Drain BSP | 50mm |
| 8. Outlet BSP | 40mm |
| 9. Outside Diameter | 3.70m |
| 10. Pressure Relief Valve | |

Duracrete recommend using an Authorised Installer for site preparation & installation of tanks to safeguard your tank warranty.



Bowers & Son Ltd
Concrete Manufacturers

1852 Alexandra Street, Te Awamutu 3800
PHONE: 07 871 5209 • FAX: 07 871 5249
EMAIL: sales@bowersconcrete.co.nz

PROUD LICENSEE OF
DURACRETE
PRECAST TO LAST

www.bowersconcrete.co.nz

INSTALLATION STEPS:



1 Level the ground which will form the base for your tank. The base needs to be level in all directions.



2 The excavated hole should be square. The final hole size should be 4m x 4m x depth required.



3 Add hard fill and compact with a compactor. Compact to a depth of 100mm thick.



4 Add 7mm Granular Fines as bedding material - this should be 75mm thick and be levelled in all directions with a straight edge and level.

The base fines (cushion course) and base course, should be back-filled and contained around the base of the tank, (or higher where appropriate), to ensure all site preparation material stays firmly in place.

SITE PREPARATION:

The site loading of a full 25,000 litre water tank is in excess of 30 tonnes. This extreme loading requires particular care to distribute the load evenly across the site. Foundations must be 'good ground' in accordance with NZS 3604.

The site for your tank must be free of all solid objects (rocks, tree stumps, roots, etc) and be flat, level and firmly compacted and consistent across the tank base to allow the tank to sit evenly. A tolerance of 15mm is permitted over the entire site. This can be achieved by using a level and straight edge, laser level or similar method.

An uneven foundation base will result in the tank being 'Off Plumb'.

75mm layer of 7mm granular fines "PAP 7", Scoria Fines or similar is suitable.



100mm layer of hard fill - compacted "Blue Brown 40" or similar is suitable

4m square base levelled in all directions "Good Ground" in accordance with NZS 3604

Aggregates are available from quarries throughout NZ



Bowers & Son Ltd
Concrete Manufacturers

1852 Alexandra Street, Te Awamutu 3800
PHONE: 07 871 5209 • FAX: 07 871 5249
EMAIL: sales@bowersconcrete.co.nz

PROUD LICENSEE OF
DURACRETE
PRECAST TO LAST

www.bowersconcrete.co.nz



IMPORTANT NOTES:

1. Ensure that the inlet to your tank is lower than your lowest stretch of spouting. An additional fall may be necessary depending on the distance between the source of the water (house roof) and your tank.
2. It is important to pipe the overflow away from the tank base to prevent undermining of the site.
3. The size of the site needed will depend on the width of the water tank. Contact us for these details.
4. Suitable site access is the responsibility of the purchaser.
Check that there are no overhead wires, branches, buildings, gate posts or other obstacles blocking access to the loaded delivery truck. Our truck driver will take every care not to damage property but will not be responsible for damage caused due to restricted access.
5. Make sure the ground is firm enough to take the weight of a loaded truck. If you have any doubts raise them with us before delivery.
6. Make sure there are no holes, drains or septic tanks etc that the truck could fall into when delivering your tank.
7. If you intend backfilling, partially burying your tank you should inform us of this when placing your order. The tank can then be manufactured to take the additional stresses placed on it.
8. Buried Applications - Any tanks installed 800mm below ground require a specific design to avoid potential hydraulic uplift of the tank. Please refer to engineer for specific design criteria.
9. On the day of installation of partially buried tanks - it is critical that the tanks are filled with water to prevent floatation from occurring. The tanks should remain full until connected to the water catchment.

WARRANTY:

All Duracrete Products are warranted to be free of defects caused by poor workmanship or non-compliance with industry standards, for a period of 10 years from the date of purchase. This warranty is offered only to the original purchaser.

Conditions of Warranty:

1. Duracrete Products accepts no liability for damage caused due to improper site preparation and incorrect site situations that are outside our requirements and recommendations.
2. Liability of Duracrete Products is limited to the repair, or if necessary, replacement of the concrete tank concerned. The decision to repair or replace the tank lies exclusively with Duracrete Products.
3. Preparation of the tank site is the responsibility of the purchaser or their agent, unless Duracrete agrees to undertake the work in writing.
4. This warranty does not cover:
 - Damage caused after delivery resulting from poor or inadequate site preparations
 - Moving the tank from its original location.
 - Undermining of the ground supporting the tank in any way.
 - Normal wear and tear.
 - Negligent and accidental damage.
 - Failure resulting from natural causes (earthquakes, flooding etc.)
 - Repairs carried out by unauthorised persons.
 - Use of a tank for purposes other than for which it was originally intended.

If you have any further queries regarding your site, delivery of your tank, or require further information on concrete water storage tanks, please feel free to contact us.



Bowers & Son Ltd
Concrete Manufacturers

1852 Alexandra Street, Te Awamutu 3800
PHONE: 07 871 5209 • FAX: 07 871 5249
EMAIL: sales@bowersconcrete.co.nz



www.bowersconcrete.co.nz

PRODUCT RANGE

WATER TANKS:

9100, 15,000, 18,000 & 25,000 Litre

Standard conical roof tank for semi buried or above ground use.
Flat Roof tanks for fully buried applications. Other uses include retention & attenuation tanks.

EFFLUENT TANKS / SUMPS: 15,000L, 18,000L & 25,000L

ECOSTREAM CONES: Concentrate solids & maximize pump efficiency.

STONE TRAPS: STANDARD – 3500L, 2.2m max. bucket width.
MEGA - 6500L, 2.7m max. bucket width.

FLOOD WASH TANKS: 25,000L NEW Admix Design for improved durability

WATER TREATMENT

SEPTIC TANKS: 3300L & 4500L - Single or double chambers.

PUMP CHAMBER: 1100 & 1700L

PUMP CHAMBER: 1100 & 1700L

Both Septic tanks & Pump chambers can be fitted with pumps.

DURACRETE CLEAN STREAM: Advanced Water Treatment system. Single tank, small foot print, low power consumption, 1500L /Day.

TANK ACCESSORIES FACTORY FITTED

JOBE : Ball float water level indicator – visual only.

WIRELESS : Wireless water level indicator with in-home monitor screen.

RAIN-CATCHER: Basket filter – filters water entering the tank.

SUBMERSIBLE: Water pump - quiet & efficient ready to run.

HELPFUL FACTS & FIGURES

Average Waikato region rainfall = 1250mm/year (1.25m/year)

For every 10mm of rain falling on to 100m² roof catchment area = 1000L

Typical 4 bedroom home - 2 adults & 2 children.

Floor area = 200m², Roof Catchment = 250m².

Potential rainwater harvest / year = 250m² x 1.25m = 300m³ or 300,000L.

Water usage 1 Person = 160-200L/Day, 4 People = 19,200–24,000L/Month.

We recommend two 25,000L tanks (50,000L) to harvest rain water in wetter months & to store water in drier months this being about 2 months storage.

DURACRETE Concrete water tanks are excellent water storage vessels being both cool and dark helping to prevent algae growth whilst maintaining water quality.

Rainwater is naturally acidic pH~6.0.

Guidelines: pH<7.0 = Acidic , pH7.0 = Neutral, , pH>7.0 = Alkaline.

New concrete water tanks are alkaline due to cement containing lime.

These alkaline conditions help to offset the negative effects of acidic rainwater harvested from roof catchments. Acidic water is corrosive to metallic piping, pumps and storage containers also causing staining.



Bowers & Son Ltd
Concrete Manufacturers

1852 Alexandra Street, Te Awamutu 3800
PHONE: 07 871 5209 • FAX: 07 871 5249
EMAIL: sales@bowersconcrete.co.nz

PROUD LICENSEE OF
DURACRETE
PRECAST TO LAST

www.bowersconcrete.co.nz