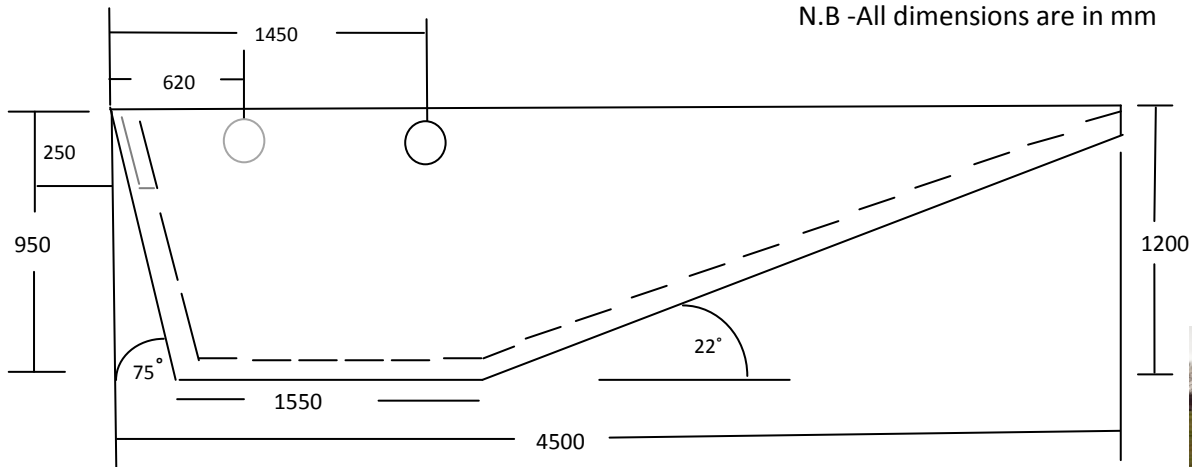
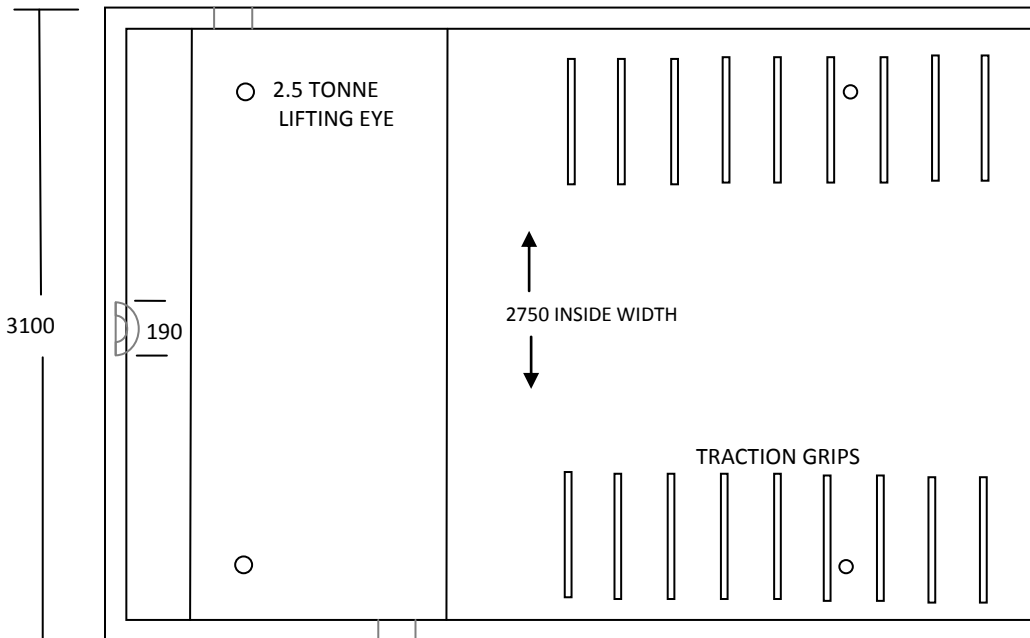


# Bowers & Son Ltd

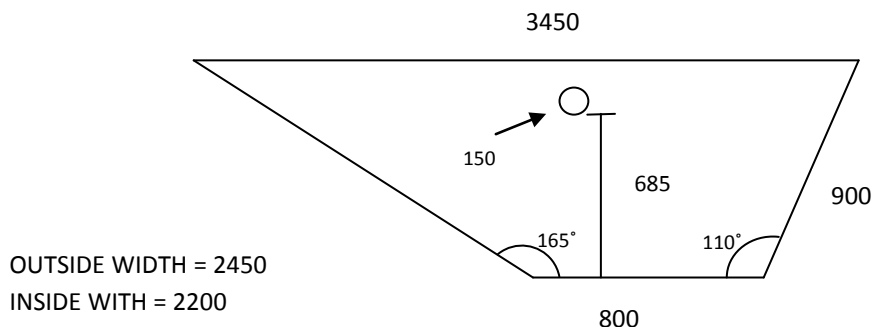
Concrete Manufacturers TE AWAMUTU

## MEGA STONE TRAP – FEATURING

- High strength 70mpa reinforced concrete for durability – Bucket widths up to 2700mm
- Four lifting eyes for ease of handling – Three inlet/outlet options – Weight 5.5 tonne



## SMALL STONE TRAP



**Bowers & Son Ltd**  
Concrete Manufacturers TE AWAMUTU

1852 Alexandra Street Te Awamutu Ph:07 871 5209 Fax:07 8715249  
Email:sales@bowersconcrete.co.nz Web:www.bowersconcrete.co.nz